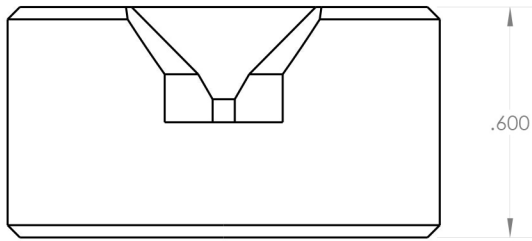
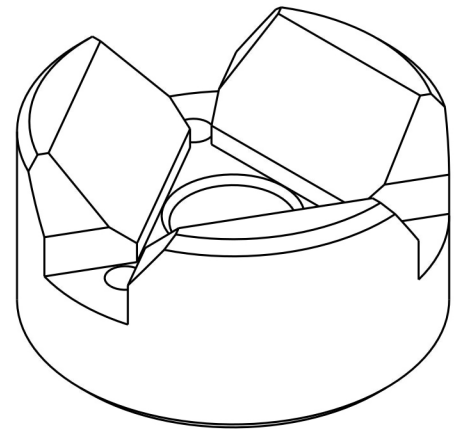
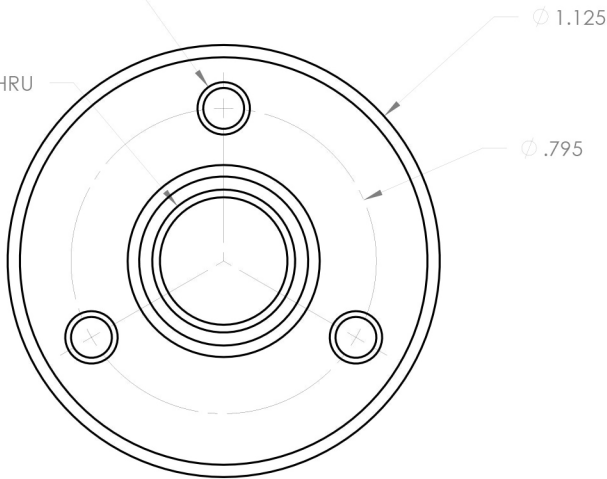


SECTION A-A



3X #10-32 UNF THRU
EQUALLY SPACED

3/8-24 UNF THRU



PROPRIETARY INFORMATION

THE INFORMATION CONTAINED IN THIS DRAWING IS THE SOLE PROPERTY OF MICRO SURFACE ENGR. INC. AND IS FURNISHED FOR INFORMATIONAL PURPOSES ONLY.

© 2006 MICRO SURFACE ENGR. INC.

UNLESS OTHERWISE SPECIFIED:

DIMENSIONS ARE IN INCHES

TOLERANCES:
ANGULAR: 1°
TWO PLACE DECIMAL ±.01
THREE PLACE DECIMAL ±.005

INTERPRET GEOMETRIC TOLERANCING PER: ANSI Y14.5



Bal-tecTM

1550 E. SLAUSON AVE
LOS ANGELES, CA 90011

TITLE		NUMBER		REV
TRH-75-SM				01
ENGINEER	DWN BY	DATE DRAWN	SIZE	SCALE
GENE GLEASON	RJV	1/25/11	A	2:1
			PAGE	1 OF 1