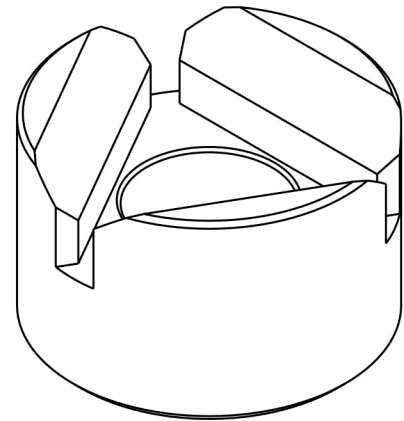
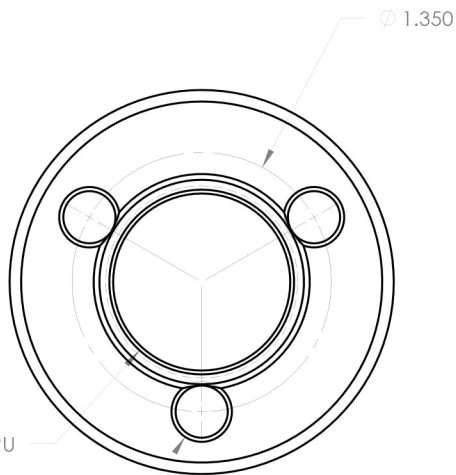
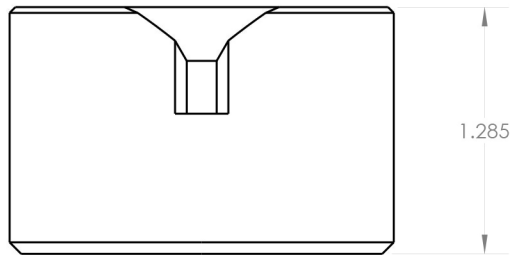


SECTION A-A



1-12 UNF THRU

3X 5/16-24 UNF ∇ .500
EQUALLY SPACED

PROPRIETARY INFORMATION

THE INFORMATION CONTAINED IN THIS DRAWING IS THE SOLE PROPERTY OF MICRO SURFACE ENGR. INC. AND IS FURNISHED FOR INFORMATIONAL PURPOSES ONLY.

© 2006 MICRO SURFACE ENGR. INC.

UNLESS OTHERWISE SPECIFIED:

DIMENSIONS ARE IN INCHES

TOLERANCES:
ANGULAR: 1°
TWO PLACE DECIMAL ±.01
THREE PLACE DECIMAL ±.005

INTERPRET GEOMETRIC TOLERANCING PER: ANSI Y14.5



Bal-tecTM

1550 E. SLAUSON AVE
LOS ANGELES, CA 90011

TITLE		NUMBER		REV	
TRH-2000-SM				01	
ENGINEER	DWN BY	DATE DRAWN	SIZE	SCALE	PAGE
GENE GLEASON	RJV	1/25/11	A	1:1	1 OF 1